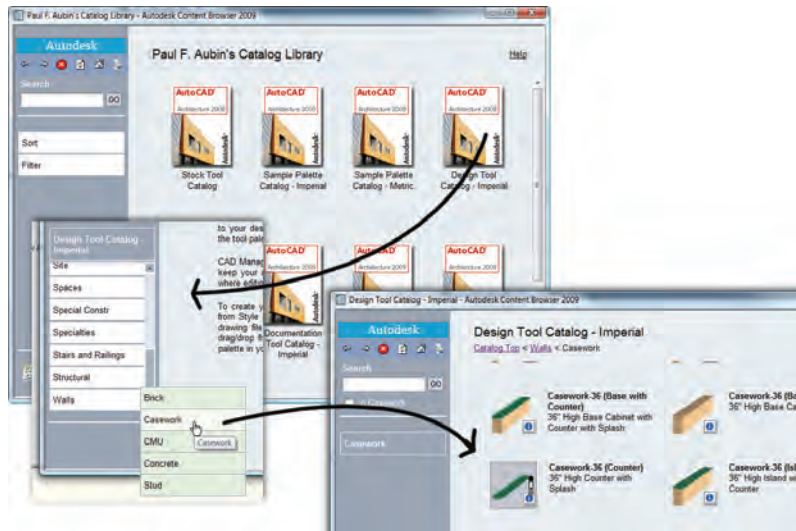


Autodesk Experience Tour 2008

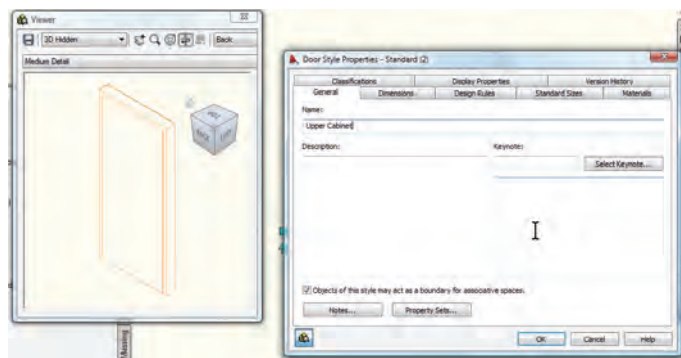
AutoCAD Architecture 2009 Tips and Tricks by Paul F. Aubin

How to make a Wall Cabinet from a Door Style.

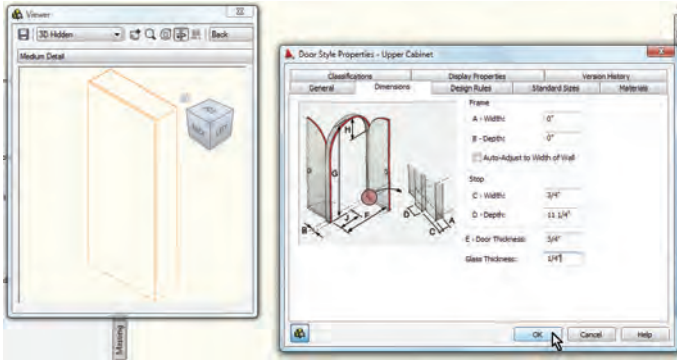
Start with a Countertop Wall Style. There are many examples in the Content Browser. Look in the *Design Tool Catalog – Imperial*. Look in the *Walls > Casework* category. Using the idrop icon, drag a casework style into the drawing and draw a few segments of countertop.



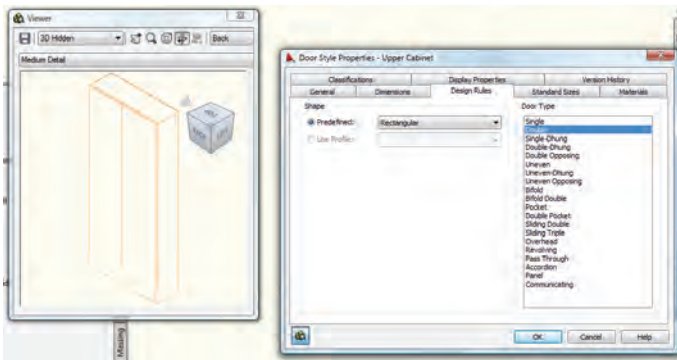
Add a door to this "Wall". The door of course needs work to become a cabinet. Right-click the door and choose **Copy Door Style and Assign**. On the General tab, change the name to Upper Cabinet.



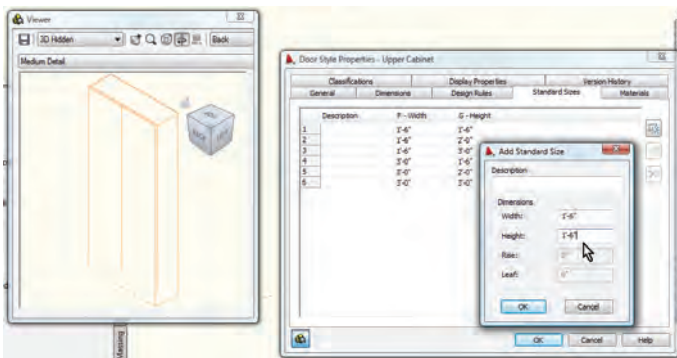
On the Dimensions tab, make the frame 0 in both directions, the stop $\frac{3}{4}$ " x $11 \frac{1}{4}$ " and the panel thickness $\frac{3}{4}$ ".



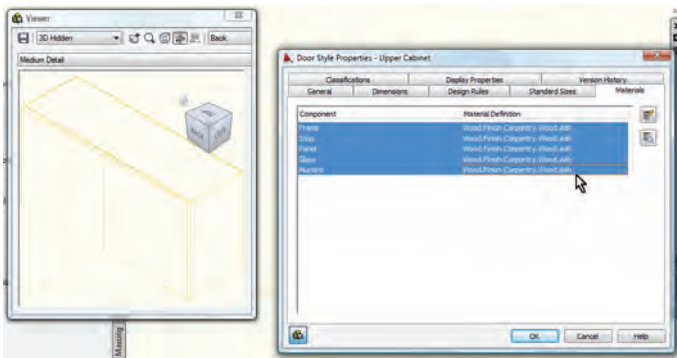
On the Design Rules tab, choose Double.



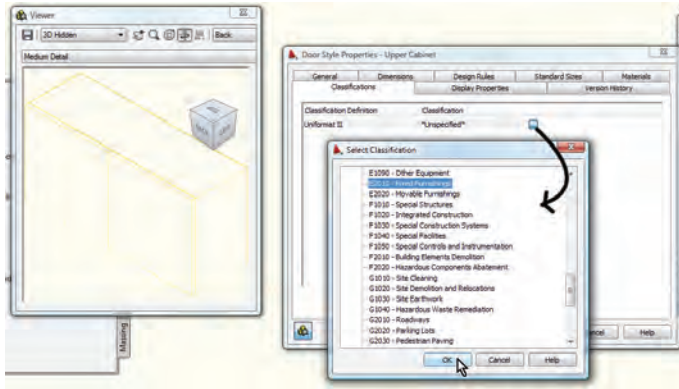
On the Standard sizes, add several standard sizes.



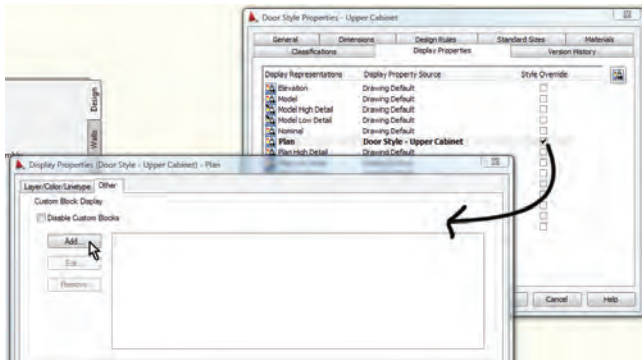
Assign materials on the Materials tab.



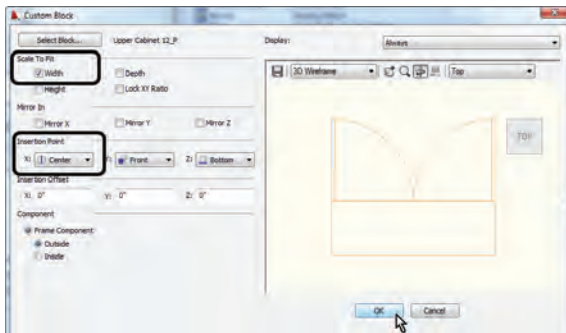
On the Classifications tab, choose Fixed Furnishings.



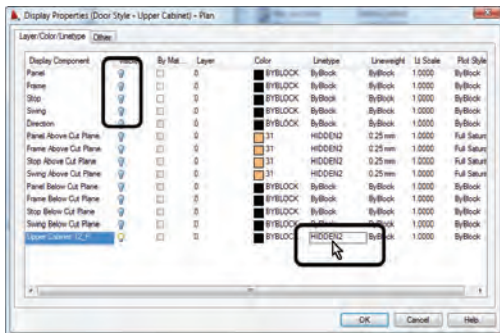
On the Display Properties tab, add a Plan display override.



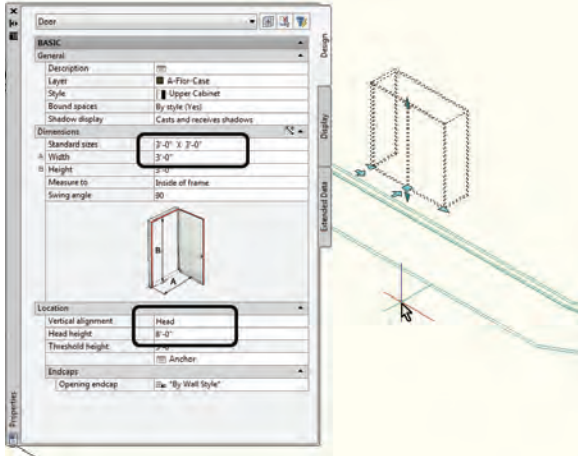
Add a plan block (the one here is a simple rectangle). Scale the Width to fit and center it on X.



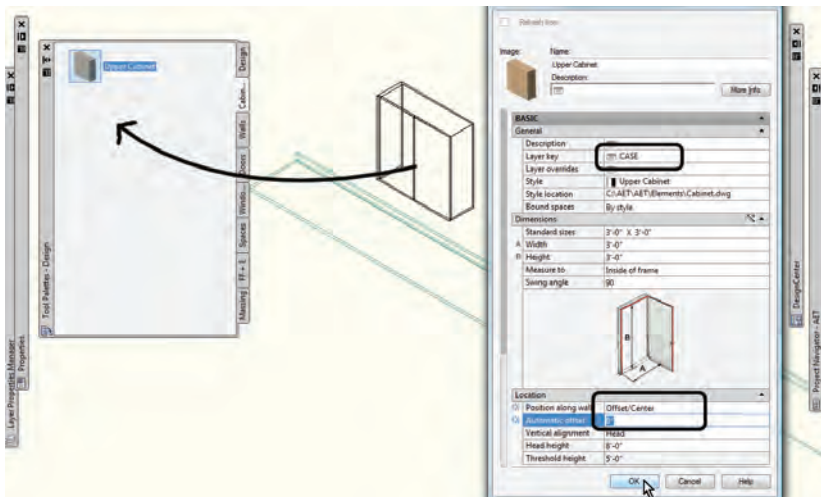
On the layer/color/linetype, turn off panel, stop and frame, change the display block to dashed.



Back in the drawing, change a few properties to move the cabinet above the counter.



Save the drawing to a good library location. Drag the style to a palette, change the tool properties as shown.



Test out the tool. To make a base cabinet, you need to build a more detailed display block and add it to the model view as well as the plan display. Share your tools with your team.

For more information on Paul F. Aubin, his books and consulting services, visit:



www.paulaubin.com

You can email Paul at: paubin@paulaubin.com

Sample Palette Available for Download

If you would like a copy of some of the sample tools used in this class, launch your content browser and then click the Add Catalog button. In the Add an Existing catalog or website area, type the following: http://www.paulaubin.com/Public/AU_Tools.atc.

A new catalog should appear. All of the tools in this catalog point directly to content hosted on paulaubin.com. If you prefer to download and install a local version, you can visit: <http://paulaubin.com/Public/> and then click the [AU_Tools-Local_References.zip](#) file to download a zip file containing all the required files.